

# *Linha 25*

## **Catálogo Técnico**



Fone/fax: (17) 2139-2100

Av. Jornalista Roberto Marinho, 1971, CEP-15061-500

São José do Rio Preto - SP

alushop@alushop.com.br - <http://www.alushop.com.br>

*Linha 25*

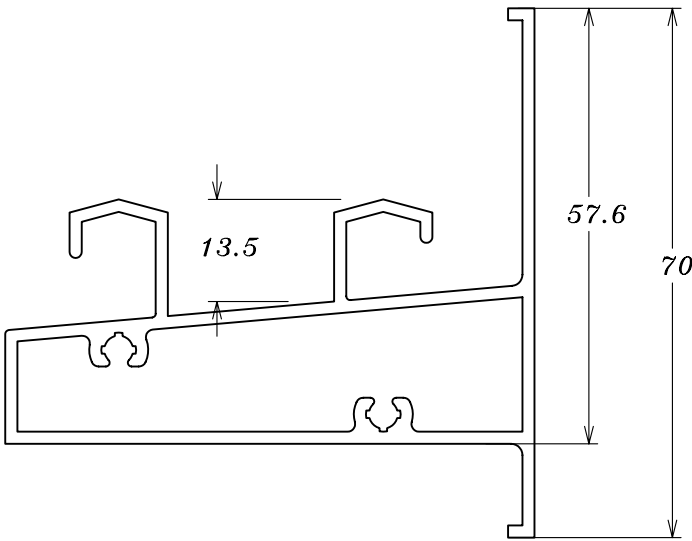
**Perfis**

## Índice de Perfis

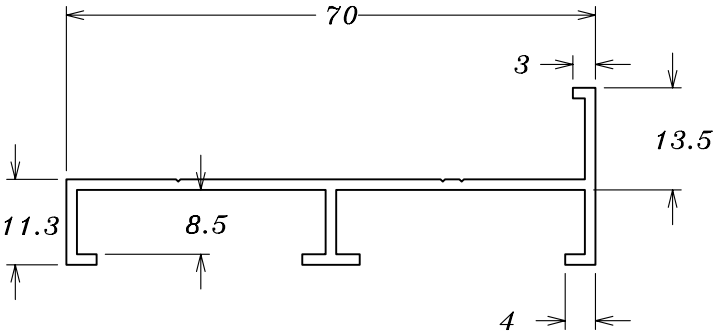
Código	Página
25-001	15
25-002	15
25-003	15
25-004	16
25-005	16
25-011	09
25-012	11
25-013	09
25-014	09
25-015	09
25-016	09
25-017	15
25-018	16
25-020	18
25-021	17
25-024	07
25-026	14
25-027	15
25-032	17
25-043	18
25-500	09
25-502	10
25-503	11
25-504	10
25-505	11
25-506	10
25-507	10
25-508	13
25-510	17
25-514	04
25-515	05

Código	Página
25-516	05
25-517	06
25-523	17
25-524	17
25-525	16
25-527	14
25-530	04
25-538	11
25-540	13
25-541	12
25-542	12
25-544	13
25-545	13
25-546	13
25-548	18
25-549	17
25-552	18
25-554	14
25-561	14
25-584	04
25-661	08
25-669	14
25-670	06
25-671	08
25-677	18
25-695	07
25-814	05
BG-001	18
CL-015	13
CL-050	14
FC-070	06

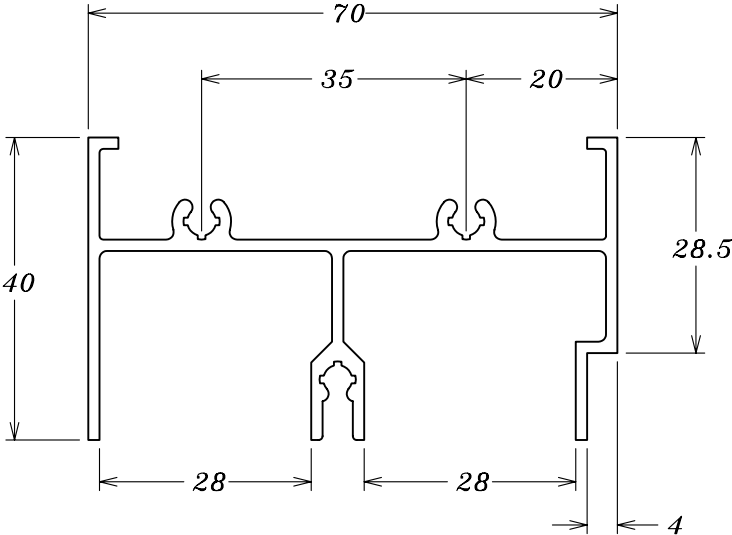
# Linha 25



25-530 ( P-254 )  
1.323 kg/m

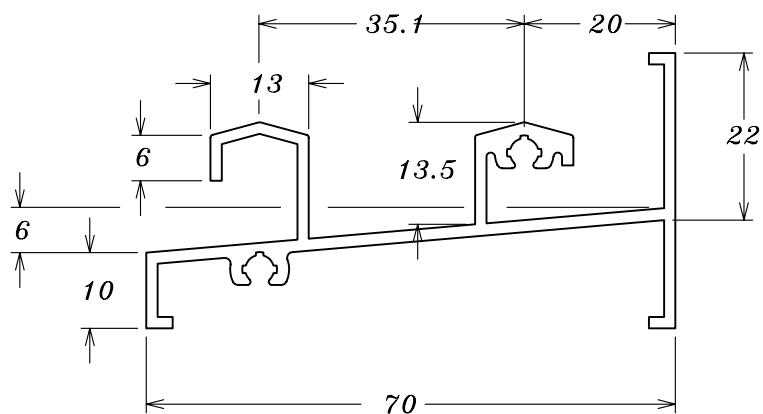


25-514 ( E-277 )  
0.472 kg/m



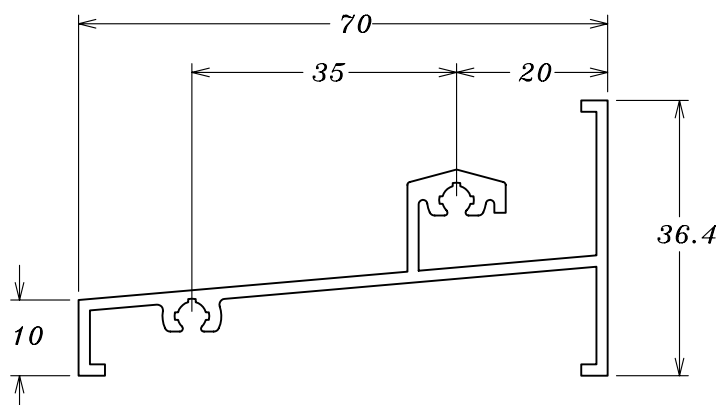
25-584  
0.927 kg/m

# Linha 25



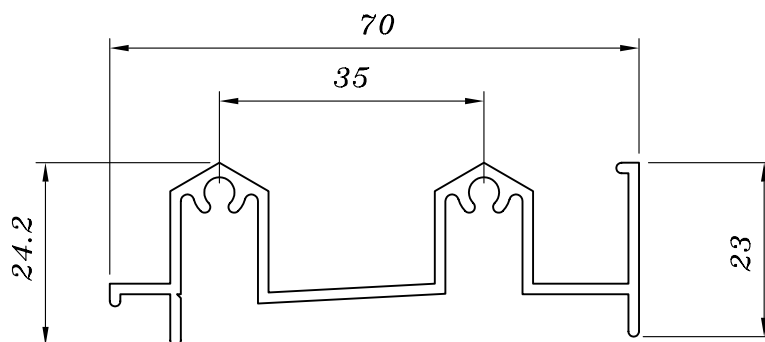
25-516 ( Z-176 )

0.833 kg/m



25-515 ( Z-174 )

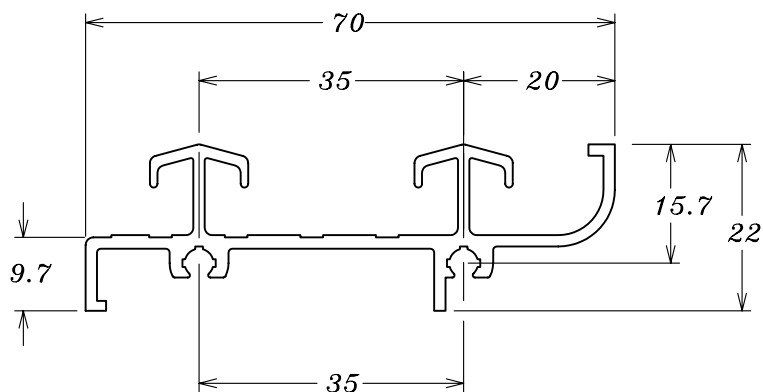
0.685 kg/m



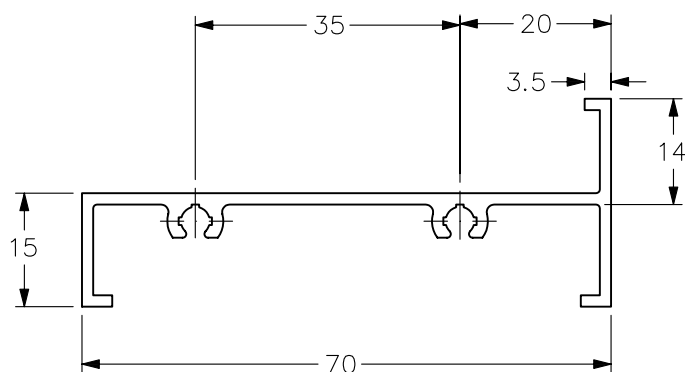
25-814 ( Z-174 )

0.655 kg/m

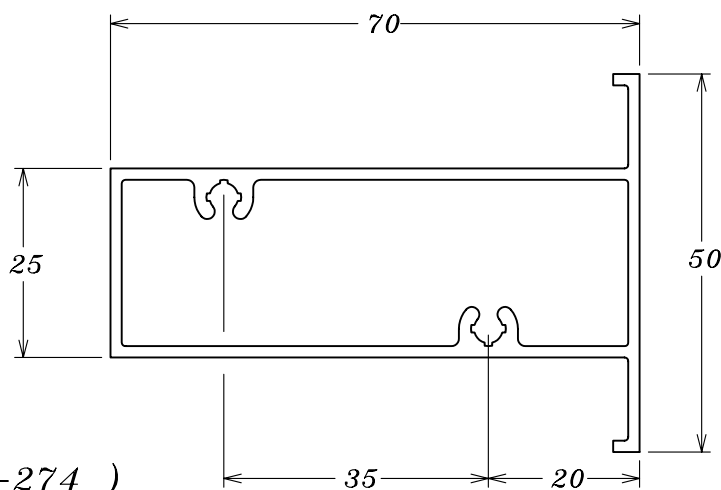
# Linha 25



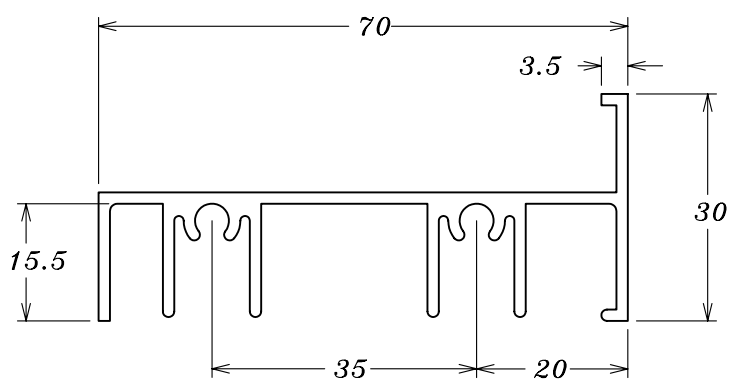
25-670 ( Z-267 )  
0.729 kg/m



25-517 ( Z-175 )  
0.577 kg/m

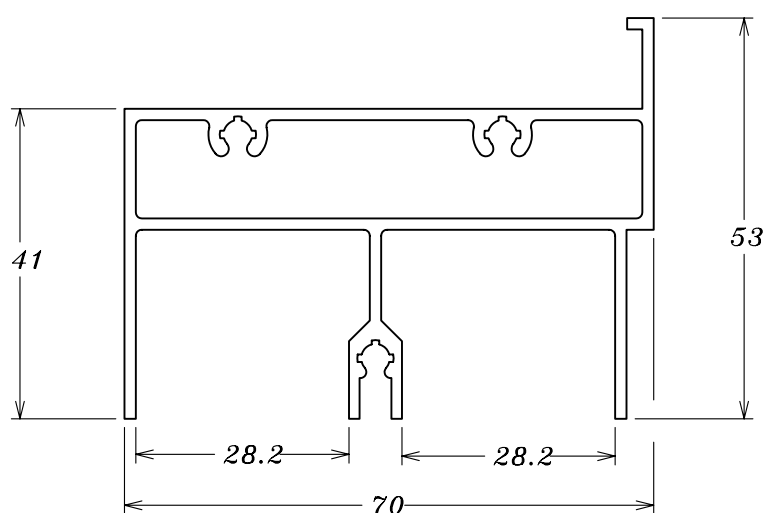


FC-070 ( P-274 )  
0.984 kg/m



25-695 ( E-221 )

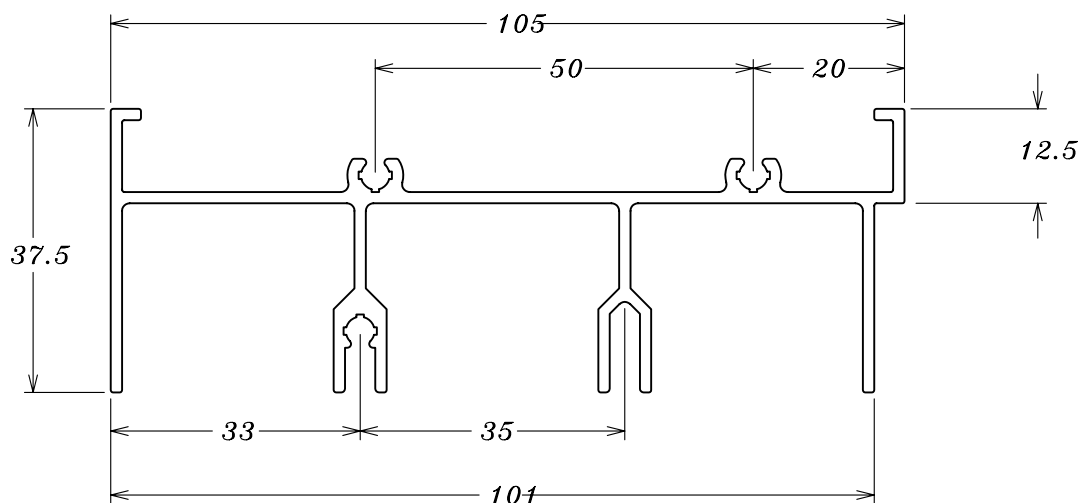
0.878 kg/m



25-024

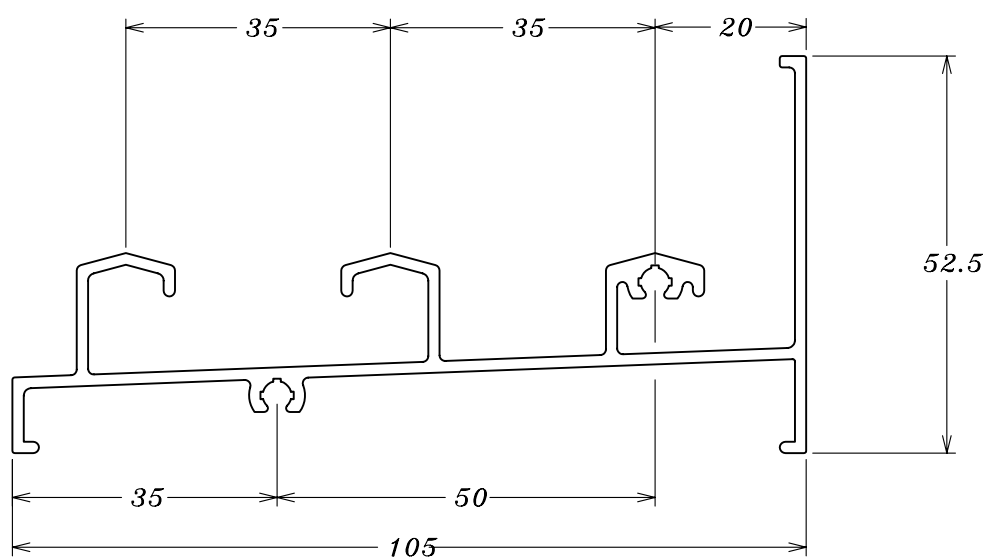
1.187 kg/m

# Linha 25



25-661 ( E-483 )

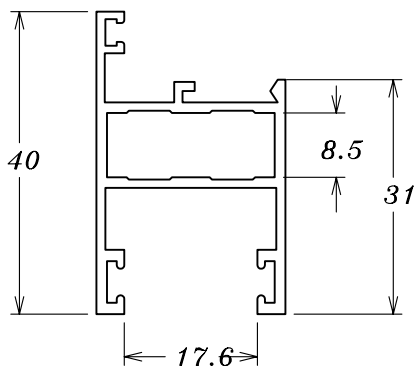
1.190 kg/m



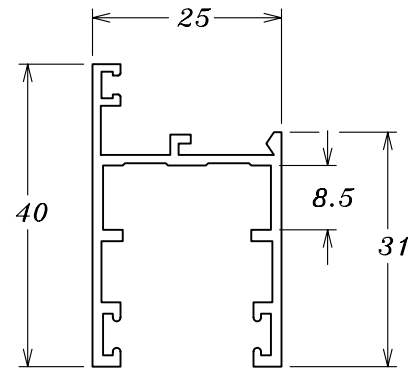
25-671 ( Z-258 )

1.127 kg/m

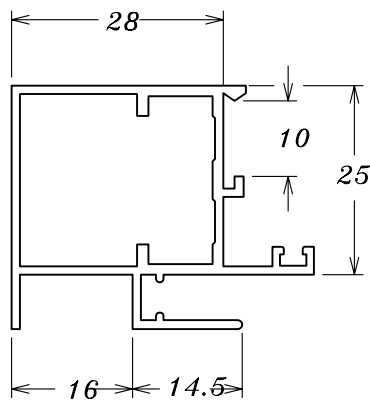
# Linha 25



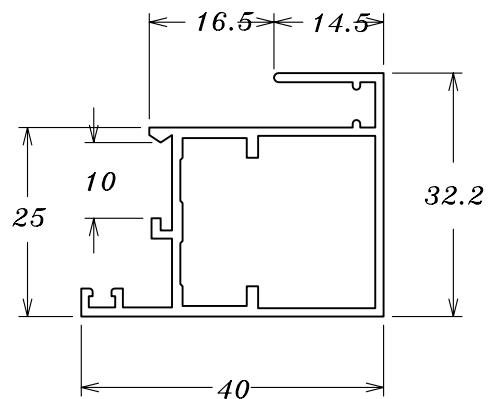
**25-013**  
0.479 kg/m



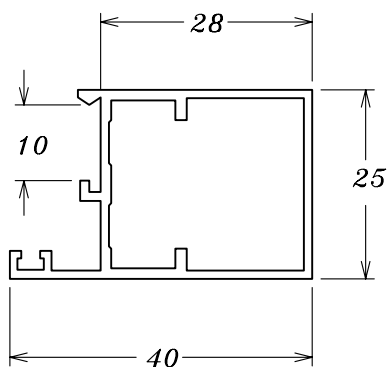
**25-011**  
0.425 kg/m



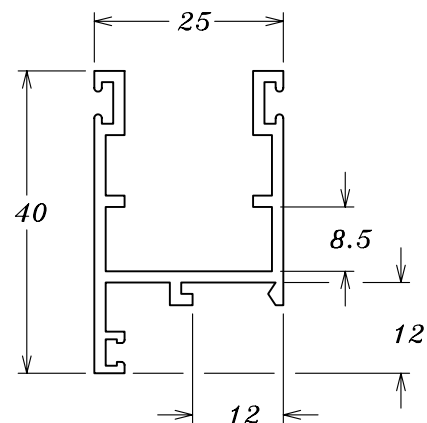
**25-015**  
0.519 kg/m



**25-014**  
0.499 kg/m

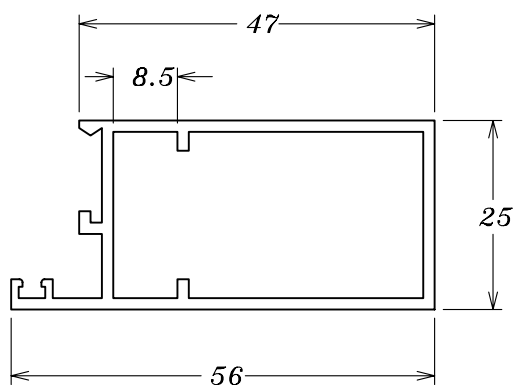


**25-016**  
0.428 kg/m

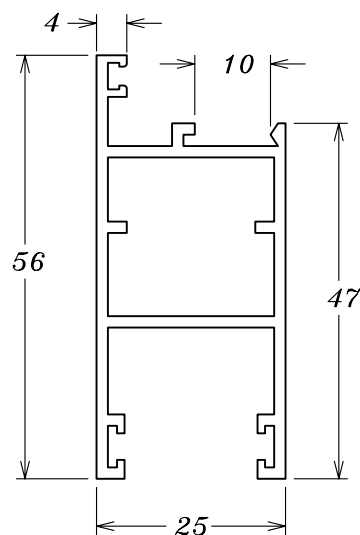


**25-500 (Y-196 )**  
0.480 kg/m

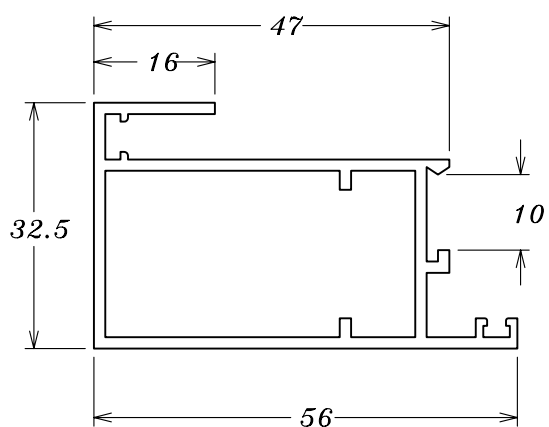
# Linha 25



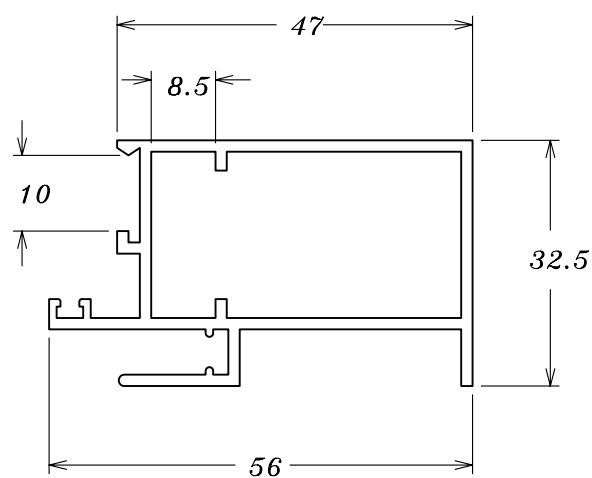
*25-504 ( P-318 )*  
*0.652 kg/m*



*25-502 ( A-048 )*  
*0.700 kg/m*

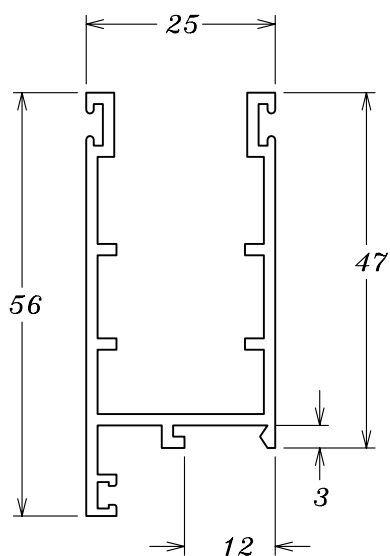


*25-507*  
*0.746 kg/m*

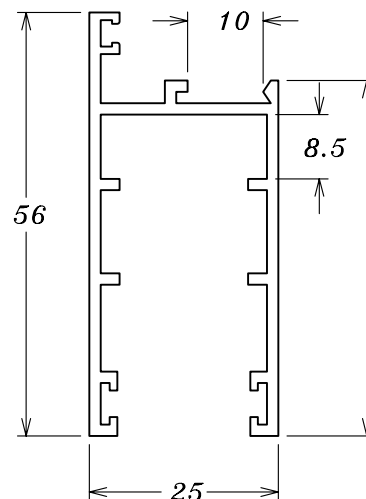


*25-506*  
*0.786 kg/m*

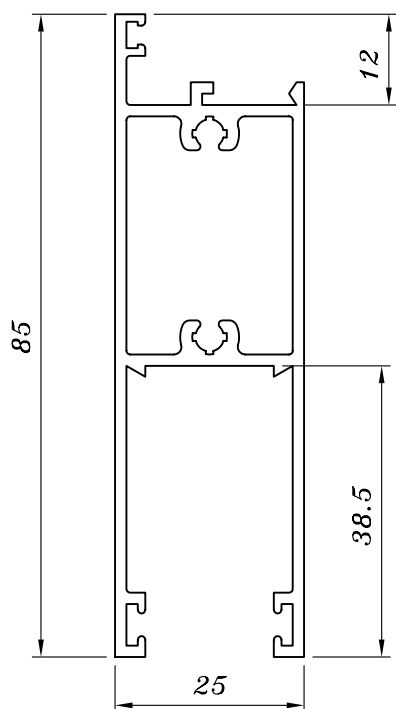
# Linha 25



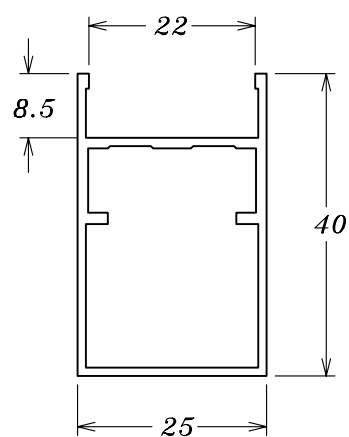
*25-505 ( Y-663 )*  
*0.630 kg/m*



*25-503*  
*0.629 kg/m*

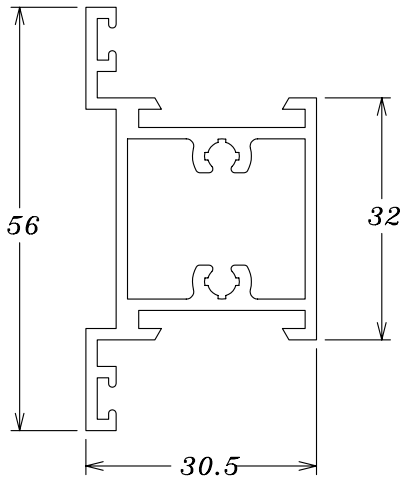


*25-538 ( A-139 )*  
*1.041 kg/m*

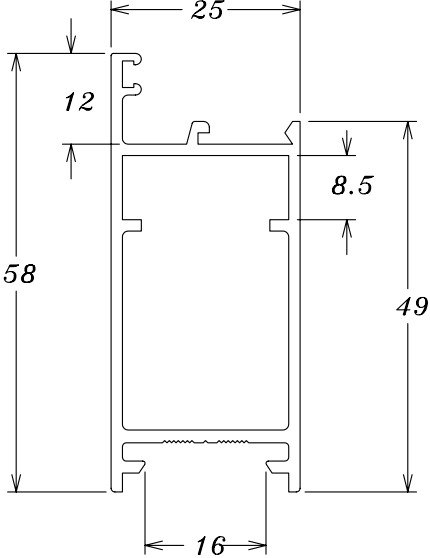


*25-012*  
*0.425 kg/m*

# Linha 25

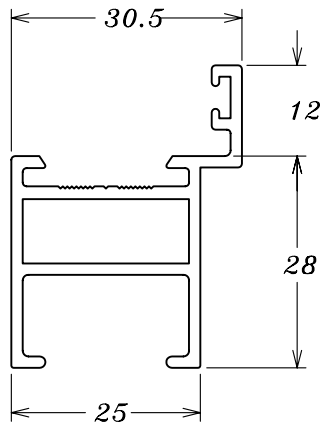


25-541 ( P-413 )  
0.832 kg/m

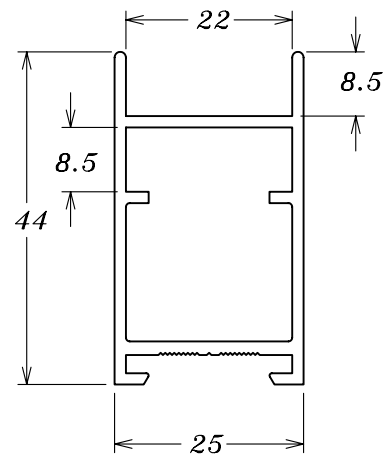


25-542 ( P-414 )  
0.704 kg/m

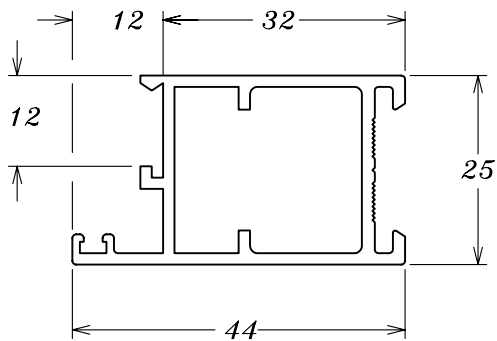
# Linha 25



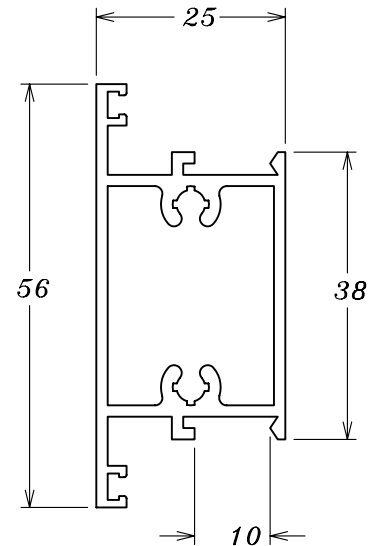
**25-540 ( P-412 )**  
0.560 kg/m



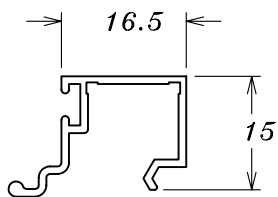
**25-545 ( A-140 )**  
0.602 kg/m



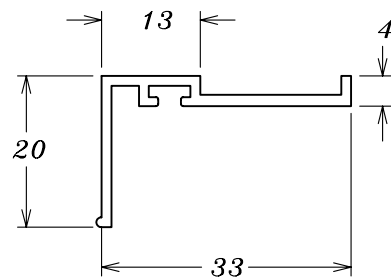
**25-546 ( P-416 )**  
0.604 kg/m



**25-508 ( P-319 )**  
0.756 kg/m

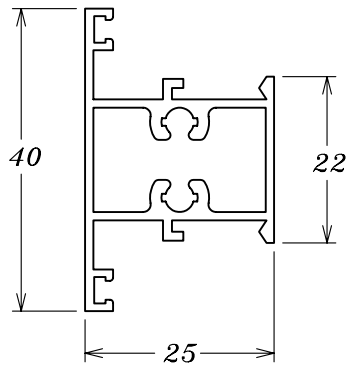


**25-544 ( U-874 )**  
0.163 kg/m

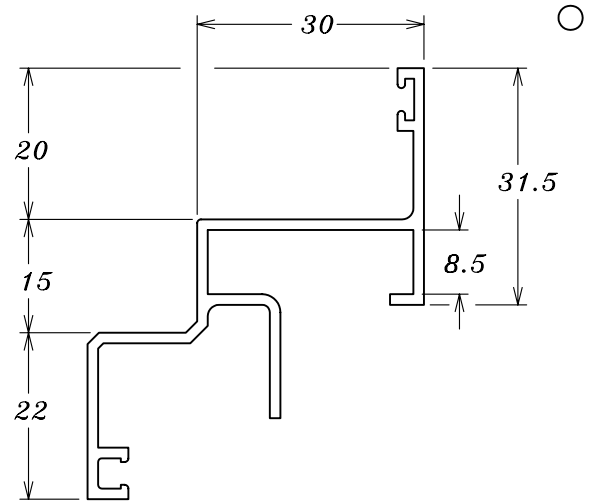


**CL-015 ( L-387 )**  
0.210 kg/m

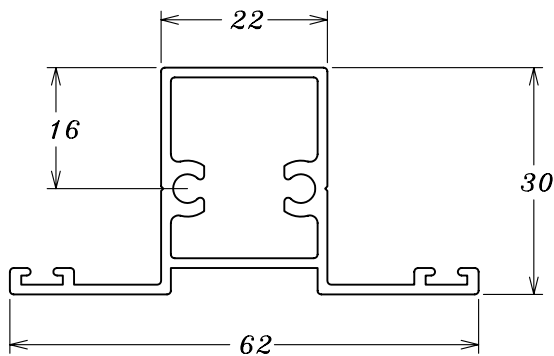
# Linha 25



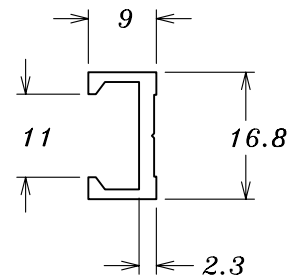
**25-026**  
0.488 kg/m



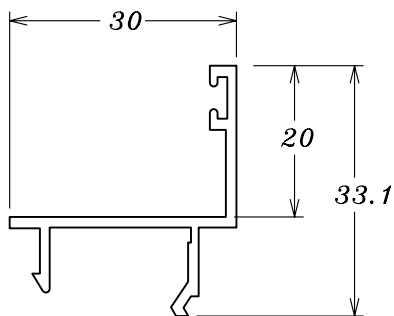
**25-561 ( Y-215 )**  
0.575 kg/m



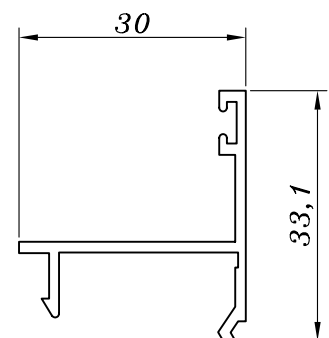
**25-669 ( P-574 )**  
0.634 kg/m



**CL-050 ( U-683 )**  
0.154 kg/m

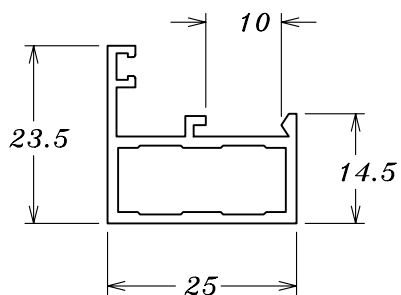


**25-554 ( Y-200 )**  
0.290 kg/m

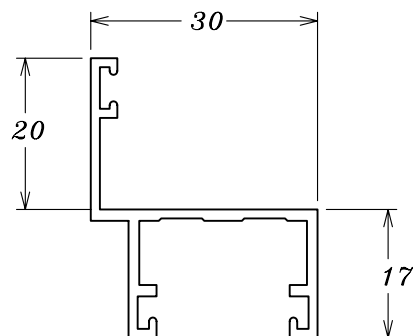


**25-527 ( Y-201 )**  
0.290 kg/m

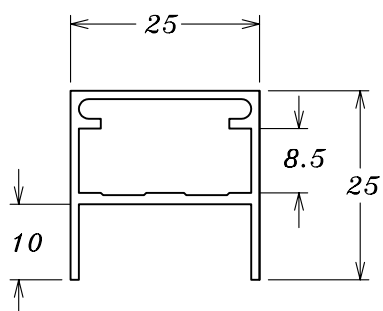
# Linha 25



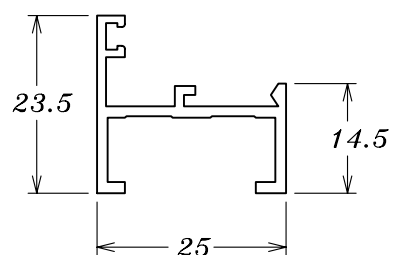
25-001  
0.322 kg/m



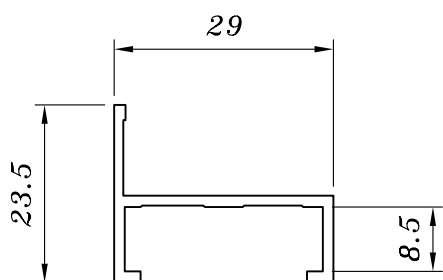
25-002 ( Y-630 )  
0.351 kg/m



25-017  
0.338 kg/m

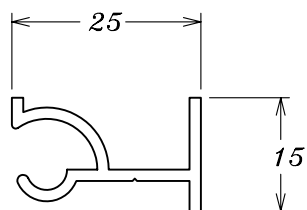


25-027  
0.271 kg/m

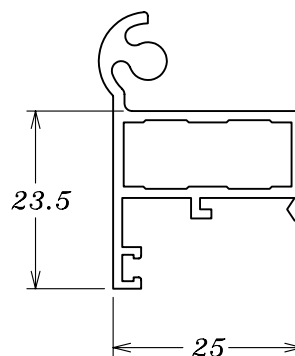


25-003  
0.242 kg/m

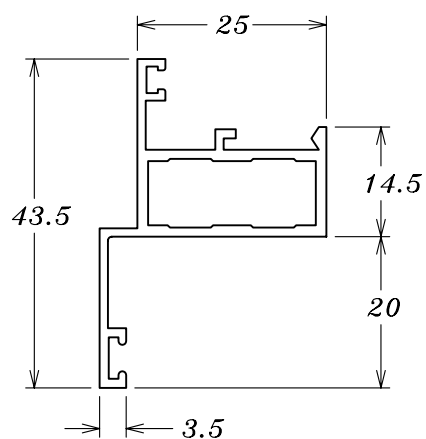
# Linha 25



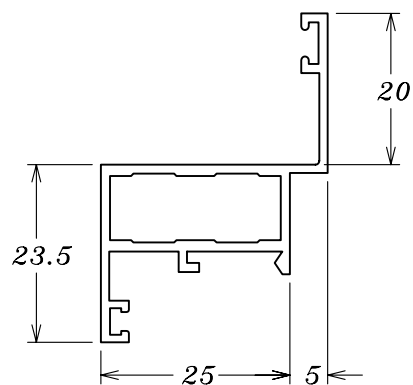
*25-525 ( Y-227 )*  
*0.240 kg/m*



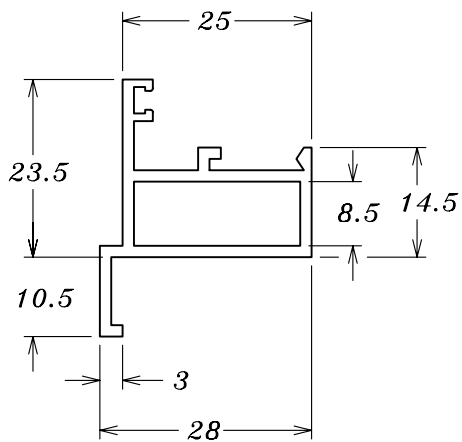
*25-004*  
*0.472 kg/m*



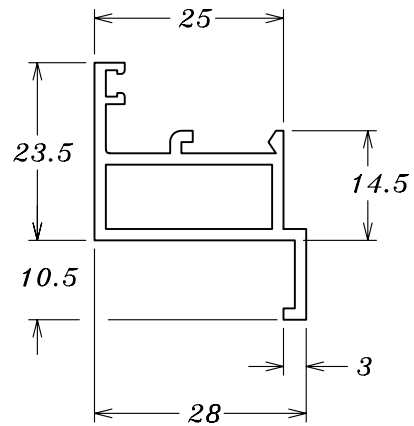
*25-005*  
*0.422 kg/m*



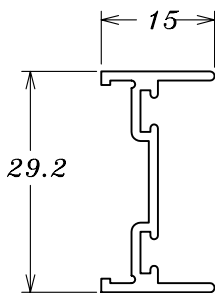
*25-018*  
*0.425 kg/m*



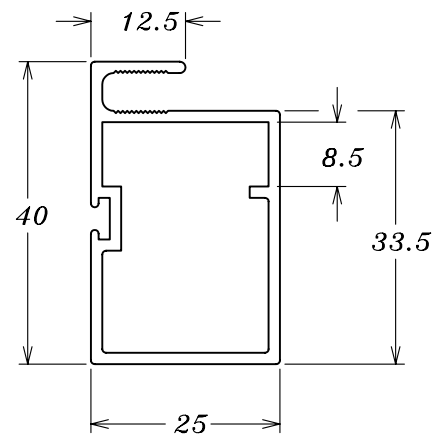
**25-523 ( P-167 )**  
0.430 kg/m



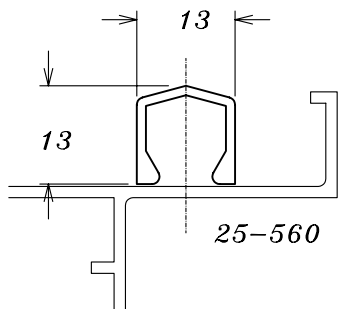
**25-524 ( P-166 )**  
0.430 kg/m



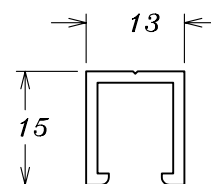
**25-021**  
0.225 kg/m



**25-549 ( P-227 )**  
0.555 kg/m

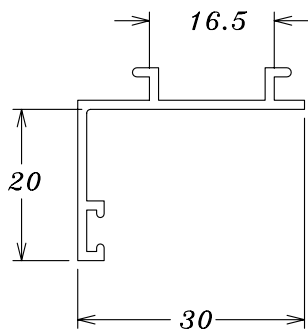


**25-032 ( U-681 )**  
0.150 kg/m

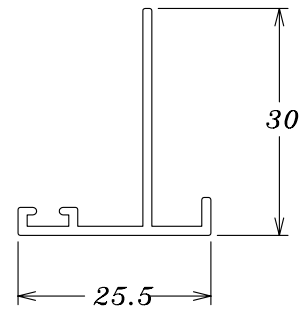


**25-510**  
0.173 kg/m

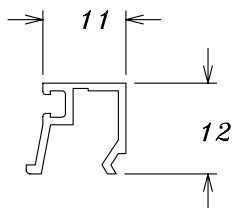
# Linha 25



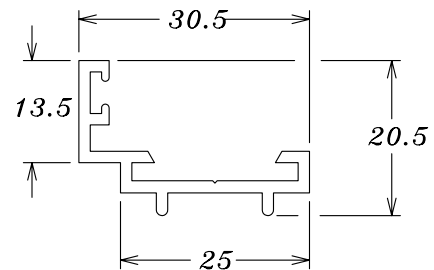
**25-020**  
0.224 kg/m



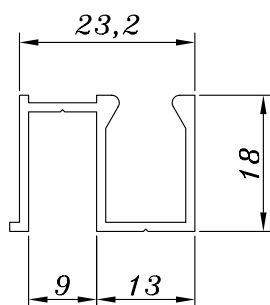
**25-677 ( T-214 )**  
0.211 kg/m



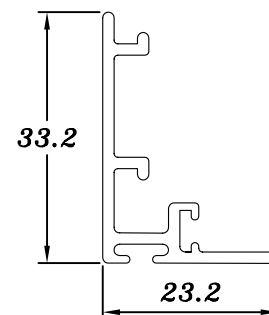
**BG-001**  
0.108 kg/m



**25-548**  
0.281 kg/m



**25-552**  
0.240 kg/m



**25-043**  
0.308 kg/m